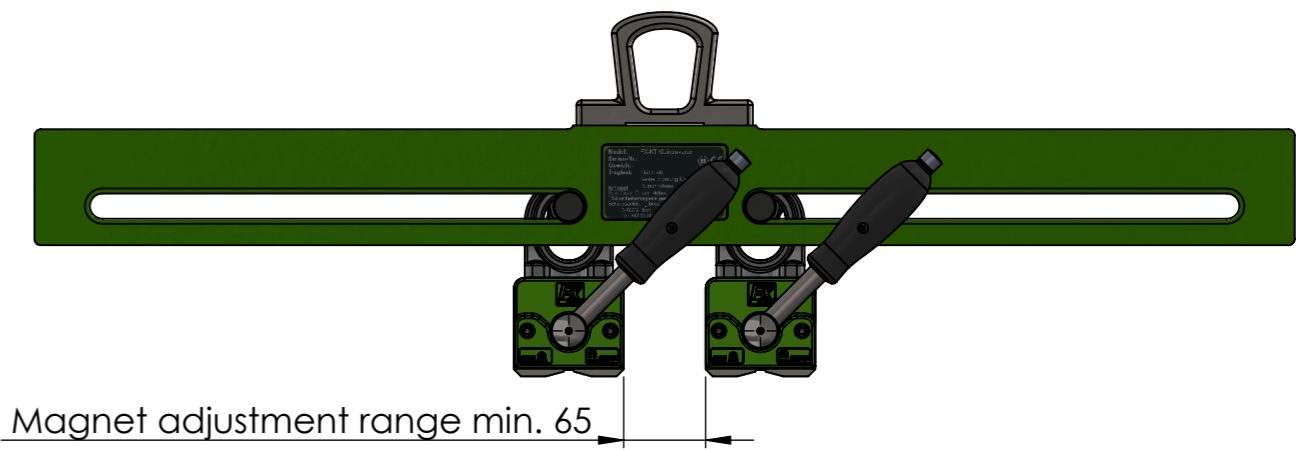
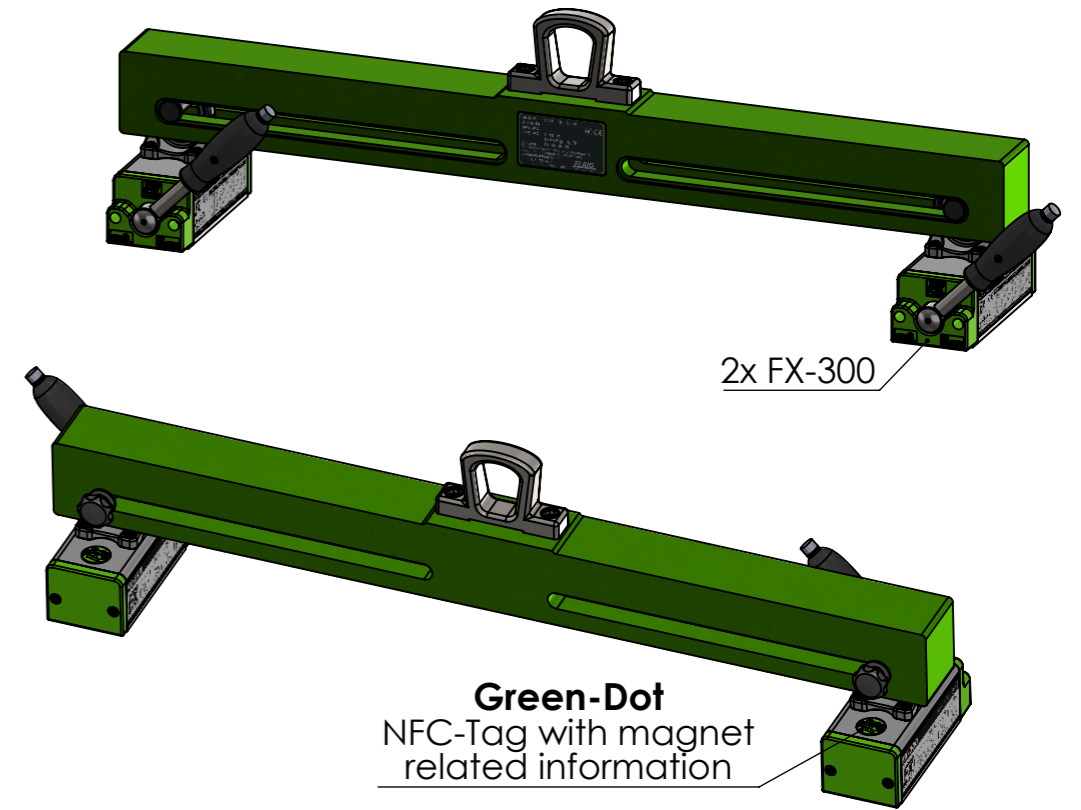
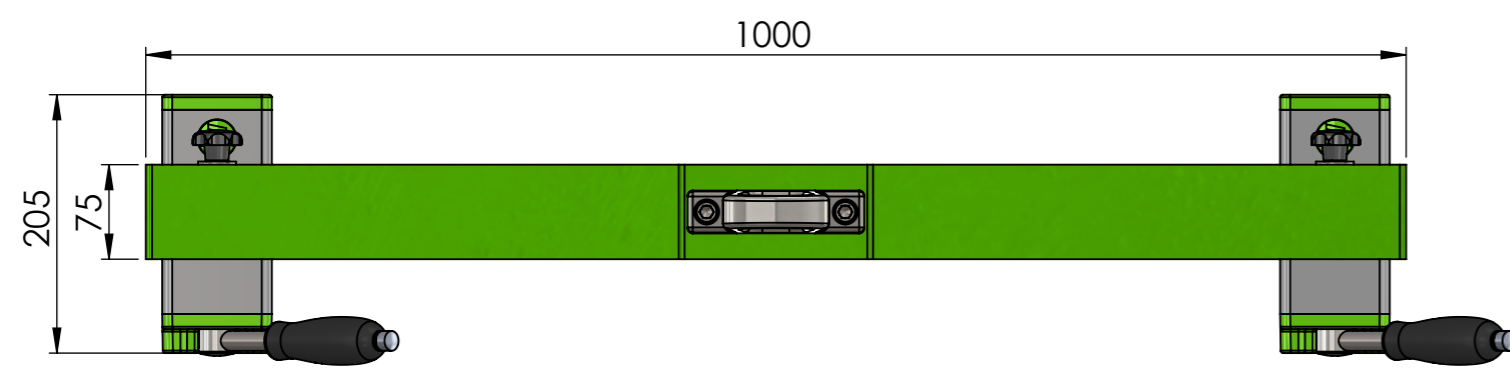


Magnet adjustment range max. 800



Magnet adjustment range min. 65



2x FX-300

Green-Dot
NFC-Tag with magnet
related information

Material Thickness (mm)	Max. Load WLL (kg)	Max. L (mm)	Max. B (mm)
>=4	100	2000	1000
>=8	320	3000	1250
>=10	380	3000	1250
>=15	480	3200	1250

Schutzvermerk nach DIN ISO 16016 beachten! Nachdruck nur mit unserer Genehmigung!					tolerance	material:	weight: 32.00 kg
All rights reserved according to DIN ISO 16016! Reprint with our permission only!					ISO 7168 M	drawing no.: 0018468	
				date	name	description: FX-KT 480-800	
				drawn 07.09.2022	TW		
				appr. 12.04.2024	FEU		
				 www.flraig-te.de		part no.:	sheet 1 / 1
						11050480-800	
rev. change date name						scale: 1:6	Status: Freigegeben